

SINGLE PHASE SOLID STATE RELAYS – DC -AC SDA-330/480-..., SAA-330/480-..., SERIES

Features

- Direct control by integrated circuits.
- Normal open type.
- Optically isolated.
- Zero Voltage Turn-On, Zero Current Turn-off.
- Random voltage turn-on for inductive load.
- Built-in snubber.
- High Dielectric Strength.
- No noise feedback from output to input circuits.
- No noise due to load current switching at near zero.
- Faster switching response.
- Requires minimum actuation power.
- Chassis mount.

(J: Zero voltage turn-on; K: Random turn-on)



Type Selection Guide

Input Control Voltage	Rated operational voltage	Rated operational current AC rms.			
		10 A	16 A	25 A	40 A
3 - 32 VDC	330 VAC rms	SDA-330-10	SDA-330-16	SDA-330-25	SDA-330-40
160 - 280 VAC	330 VAC rms	SAA-330-10	SAA-330-16	SAA-330-25	SAA-330-40
17- 80 VAC	330 VAC rms	*	*	*	*
3 - 32 VDC	480 VAC rms	SDA-480-10	SDA-480-16	SDA-480-25	SDA-480-40
160 - 280 VAC	480 VAC rms	SAA-480-10	SAA-480-16	SAA-480-25	SAA-480-40
17 - 80 VAC	480 VAC rms	*	*	*	*

* Available on request

K Random/Instant turn-on: **Type Selection SDA-330-10K, SAA-480-40K.**

Input Specifications

Type	SDA - 330/480 - 10/16...	SAA - 330/480 - 10/16....	*
Control Voltage	3 - 32 VDC	160 - 280 VAC	17 - 80 VAC
Control Current Range	1-30 mA	9-18 mA	
Pick-Up Voltage	3 VDC	180 VAC	
Drop Out Voltage	1 VDC	45 VAC	-
Input Resistance	Current regulator		

* Available on request

Output Specifications

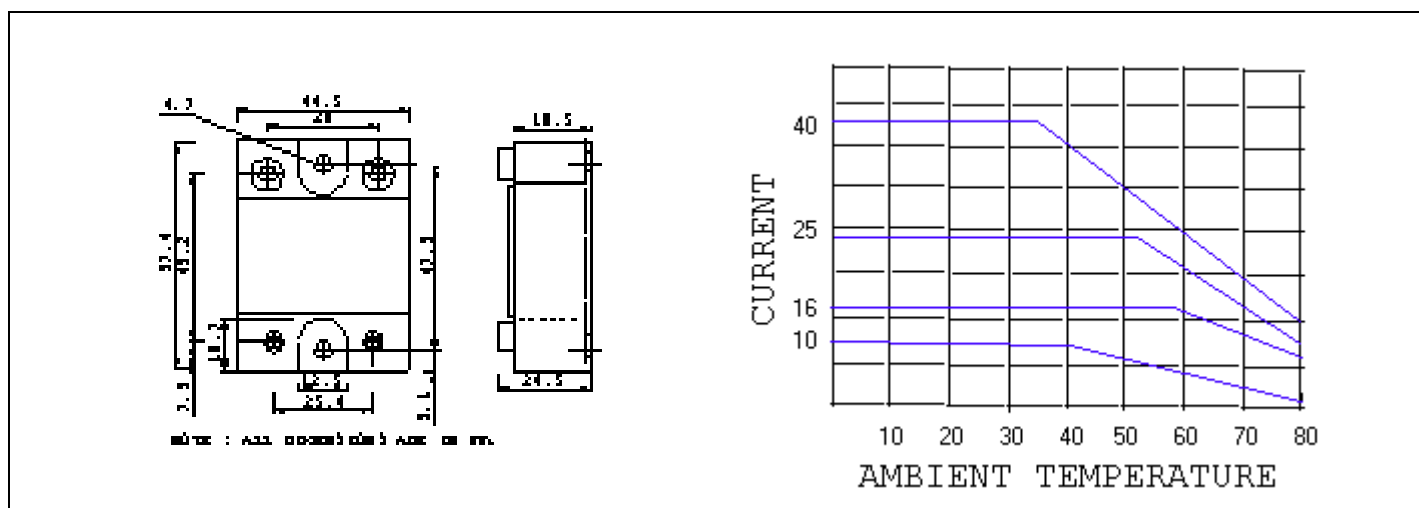
Type	SDA/SAA-330-10 SDA/SAA-480-10	SDA/SAA-330-16 SDA/SAA-480-16	SDA/SAA-330-25 SDA/SAA-480-25	SDA/SAA-330-40 SDA/SAA-480-40
Current Range with proper heat sink (IT)	10 A	16 A	25 A	40 A
Surge Current non-repetitive † =20secs (ITMS)	120 A	160 A	260 A	300 A
Voltage Drop @ Current (VTM)	1.6 VACrms	1.6 VAC rms	1.85 VAC rms	1.85 VAC rms
Voltage Range (VRMS)	160-280VAC/160 – 280 VAC rms			
Over Voltage Rating (PIV) Transient Peak	800/1200 V Peak	800/1200 V Peak	800/1200 V Peak	800/1200 V Peak
Off-state leakage current @ voltage – (IDRM)	10 mA	10 mA	10 mA	10 mA
Turn-on (max) – T-ON	10 ms	10 ms	10 ms	10 ms
Turn-off (max) – T-Off	10 ms	10 ms	10 ms	10 ms
Holding current (IH)	250 mA	250 mA	250 mA	250 mA
Dv/Dt @Voltage (out)	400 V/ μs	400 V/ μs	500 V/ μs	500 V/ μs
I ² T Fusing I ² t (10 ms)	78 A ² S	144 A ² S	340 A ² S	800 A ² S

General Specifications

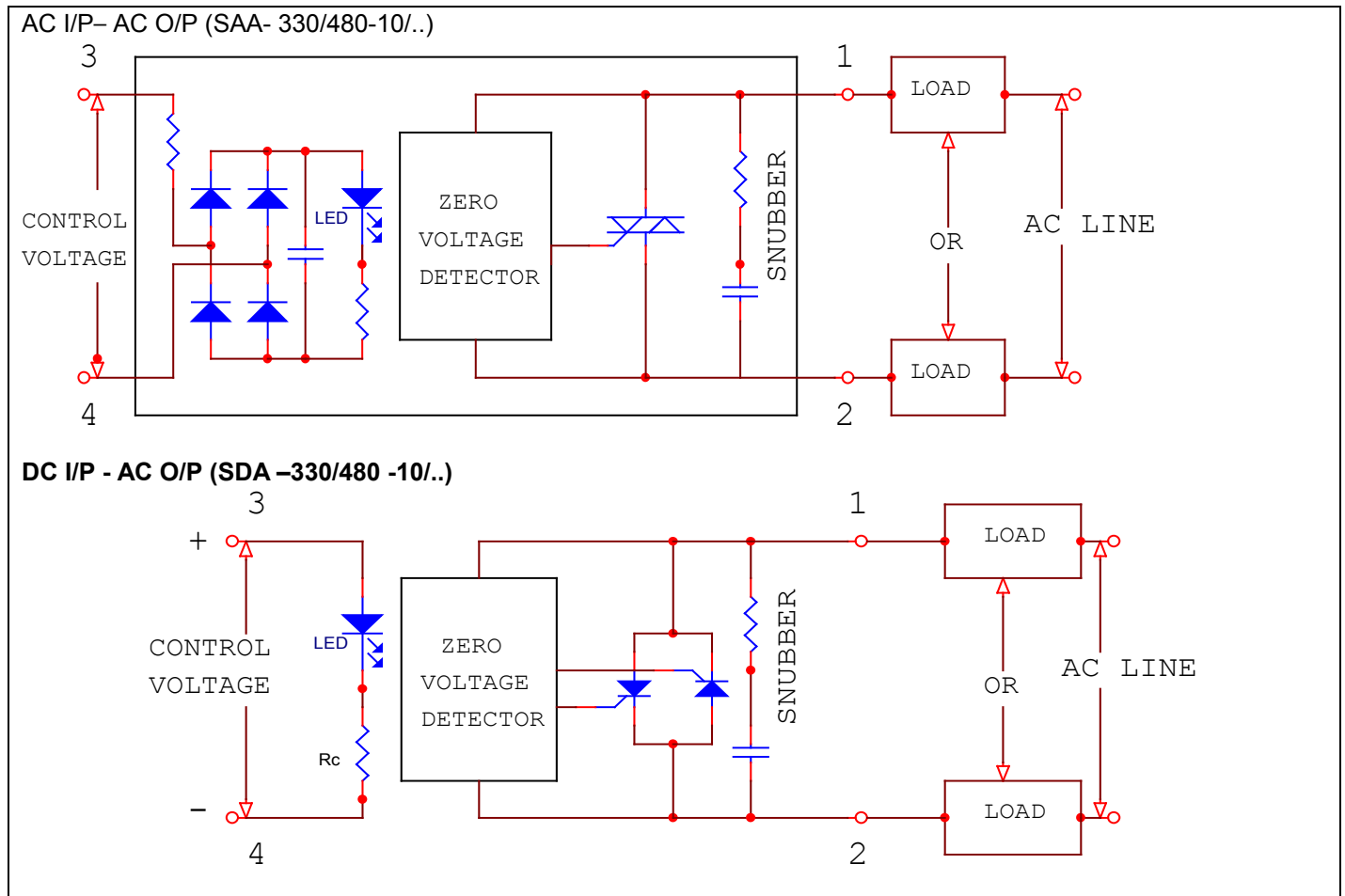
Type	SDA/SAA-330-10 SDA/SAA-480-10	SDA/SAA-330-16 SDA/SAA-480-16	SDA/SAA-330-25 SDA/SAA-480-25	SDA/SAA-330-40 SDA/SAA-480-40
Frequency Range	47 – 70 Hz	47 – 70 Hz	47 – 70 Hz	47 – 70 Hz
Dielectric Strength (Input to Output to Base)	2500 VAC –effective 4000 VAC –optional	2500 VAC –effective 4000 VAC –optional	2500 VAC –effective 4000 VAC –optional	2500 VAC –effective 4000 VAC –optional
Weight	Approx. 100 g			
Storage Temp.	– 40 °C to 100 °C			
Junction Temperature	100°C			

Dimensions

Characteristics curves



Functional Block Diagram



SATRONIX (INDIA) Pvt.Ltd.

OFFICE: 412, Laxmi Plaza, Laxmi Indl. Est., Link Rd, Andheri (W), Mumbai- 400 053,INDIA
Works:Unit No. 1,Electronic Sadan 1/Unit No.12, Electronic Sadan 3,Bhosari MIDC, PUNE -411026,INDIA

Tele: 91(020) 27122758 **Cell No.** 91(020) 31076215 **FAX:** 91(020) 27129518

Email: satronix@bom3.vsnl.net.in
