

SINGLE PHASE SOLID STATE RELAYS – DC -AC SDA-330/480-..., SAA-330/480-..., SERIES

Features

- Direct control by integrated circuits.
- Normal open type.
- Optically isolated.
- Zero Voltage Turn-On, Zero Current Turn-off.
- Random voltage turn-on for inductive load.
- Built-in snubber.
- High Dielectric Strength.
- No noise feedback from output to input circuits.
- No noise due to load current switching at near zero.
- Faster switching response.
- Requires minimum actuation power.
- Chassis mount.



(J: Zero voltage turn-on; K: Random turn-on)

Type Selection Guide

Input Control Voltage	Rated operational voltage	Rated operational current AC rms.		
		150 A	175 A	205 A
3 - 32 VDC	330 VAC rms	SDA-330-150	SDA-330-175	SDA-330-205
160 - 280 VAC	330 VAC rms	SAA-330-150	SAA-330-175	SAA-330-205
17- 80 VAC	330 VAC rms	*	*	*
3 - 32 VDC	480 VAC rms	SDA-480-150	SDA-480-175	SDA-480-205
160 - 280 VAC	480 VAC rms	SAA-480-150	SAA-480-175	SAA-480-205
17 - 80 VAC	480 VAC rms	*	*	*

* Available on request

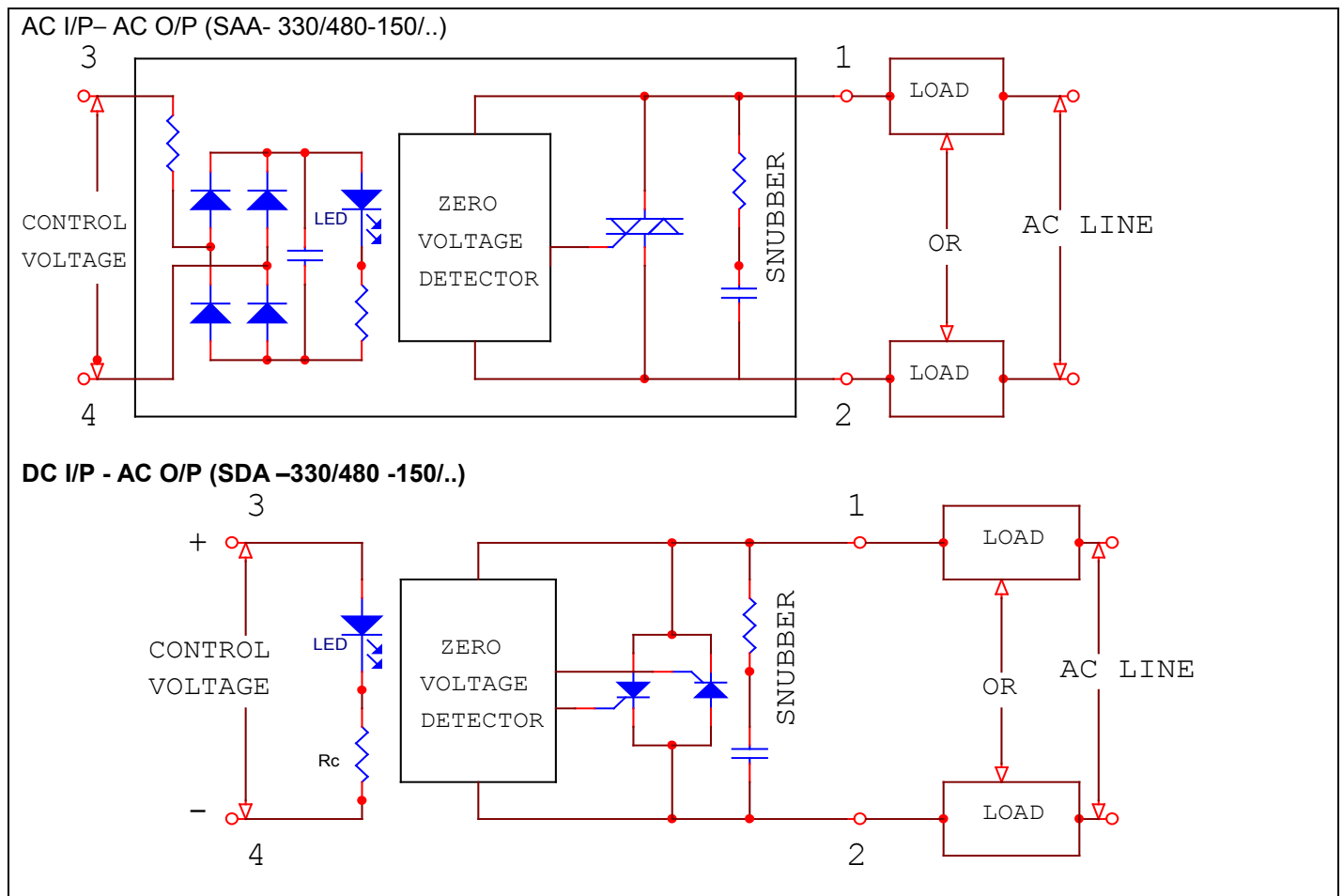
K Random/Instant turn-on: **Type Selection SDA-330-150K, SAA-480-200K.**

Input Specifications

Type	SDA - 330/480 - 150/175...	SAA - 330/480 - 150/175...	*
Control Voltage	3 - 32 VDC	160 - 280 VAC	17 - 80 VAC
Control Current Range	1-30 mA	9-18 mA	
Pick-Up Voltage	3 VDC	180 VAC	
Drop Out Voltage	1 VDC	45 VAC	-
Input Resistance	Current regulator		

* Available on request

Functional Block Diagram



SATRONIX (INDIA) Pvt.Ltd.

OFFICE: 412, Laxmi Plaza, Laxmi Indl. Est., Link Rd, Andheri (W), Mumbai- 400 053,INDIA
 Works:Unit No. 1,Electronic Sadan 1/Unit No.12, Electronic Sadan 3,Bhosari MIDC, PUNE -411026,INDIA

Tele: 91(020) 27122758 Cell No. 91(020) 31076215 FAX: 91(020) 27129518

Email: satronix@bom3.vsnl.net.in