

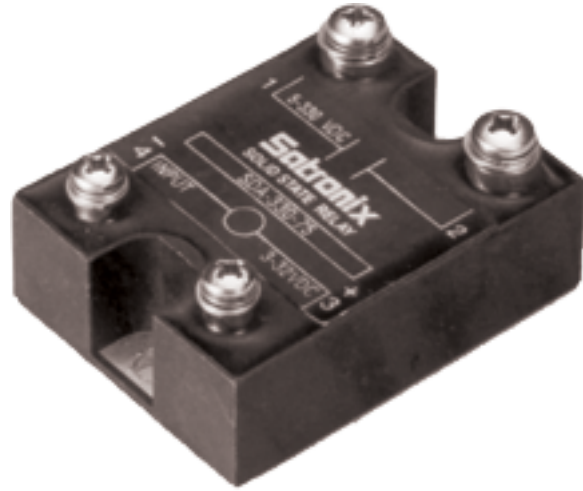


www.satronixindia.com

DC-DC RELAYS

Features

- Load current upto 40 A.
- Load voltage upto 100/330/1000 VDC.
- Isolation voltage 2500 VAC.
- Fast switching response.
- Normal Open Type Optically Isolated.
- Chassis mounting Switches 10 to 40 A DC Load.
- High voltage SSR based on IGBT Technology
- LED Indicator Showing Relay on status



Input Specifications

Type	SDD – 100/330/1000 – 10	SDD – 100/330/1000 – 25	SDD – 100/330/1000 – 40
Control Voltage	3.5 – 32 VDC	3.5 – 32 VDC	3.5 – 32 VDC
Input Current	15 mA	15 mA	15 mA
Time interval (Min.)	1 VDC	1 VDC	1 VDC

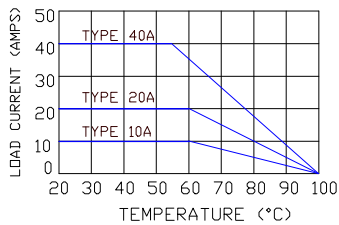
Output Specifications

Type	SDD – 100/330/1000 – 10	SDD – 100/330/1000 – 25	SDD – 100/330/1000 – 40
Load current	10 A	25 A	40 A
Range of voltage	5 – 100/330/1000 VDC	5 – 100/330/1000 VDC	5 – 100/330/1000 VDC
Surge current	60 A	60 A	60 A
On-state voltage drop (VTM)	2.0 V	2.0 V	2.0 V
Off-state Leakage current @ rated voltage (IDRM)	10 mA	10 mA	10 mA
Max Turn on time	600 μs	600 μs	600 μs
Max Turn off time	2600 μs	2600 μs	2600 μs

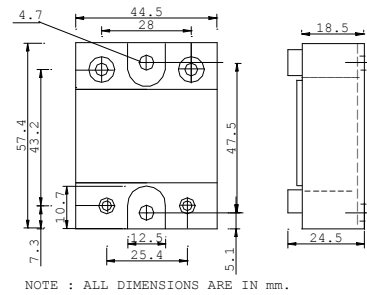
General Specifications

Type	SDD - 100/330/1000 - 10	SDD-100/330/1000 - 20	SDD - 100/330/1000 - 40
Dielectric strength	Min. 2500 VAC	Min. 2500 VAC	Min. 2500 VAC
Insulation (I/P to O/P , I/P to case, O/P to case)	4000 VAC rms	4000 VAC rms	4000 VAC rms
Operating temp.	- 40°C to +100°C	- 40°C to +100°C	- 40°C to +100°C

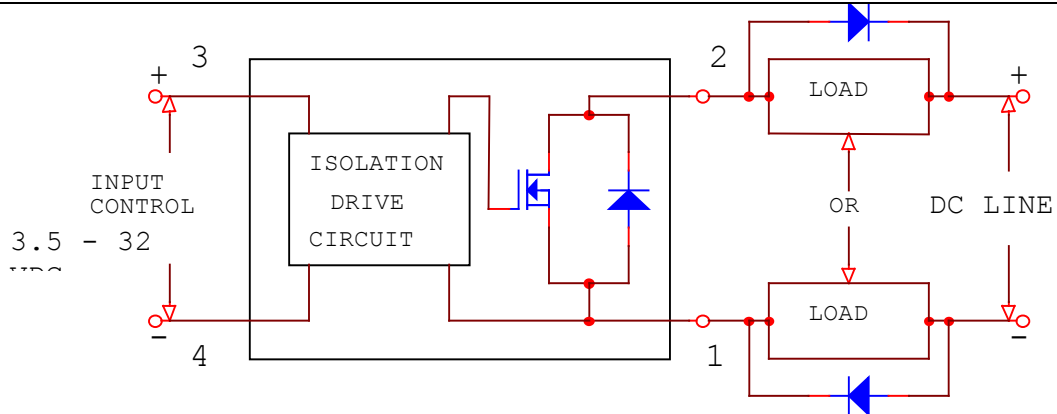
Characteristic Curves



Dimensions



Functional Block Diagram



NOTE : INDUCTIVE LOADS SHOULD BE DIODE SUPPRESSED

SATRONIX (INDIA) Pvt.Ltd.

OFFICE: 412, Laxmi Plaza, Laxmi Indl. Est., Link Rd, Andheri (W), Mumbai- 400 053,INDIA
 Works:Unit No. 1,Electronic Sadan 1/Unit No.12, Electronic Sadan 3,Bhosari MIDC, PUNE -411026,INDIA
Tele: 91(020) 27122758 **Cell No.** 91(020) 31076215 **FAX:** 91(020) 27129518

Email: satronix@bom3.vsnl.net.in