



www.satronixindia.com

ANALOG SINGLE PHASE SOLID STATE RELAY

I/P : 4 TO 20 mA

S-240-...-AA-06/12, S-480-...-06/12 SERIES

Features

- Using SMT Technology.
- Direct control by integrated circuits.
- AC Solid State Relay.
- LED indication of loop current.
- Anti-parallel double SCR.
- 4 to 20 mA control.
- Galvanic separation between control buffer and power circuits (4000 volts).
- 4000 Volt Insulation.
- Rated operational voltage : Up to 600 VAC.
- Rated operational current: 10, 25, 50, 75 and 90 A.
- Analog switching for resistive loads.
- Built-in power supply.



Type Selection Guide

Input Control Current	Rated operational voltage	Non-Repetitive voltage	Rated operational Current ACrms				
			10 amps	25 amps	50 amps	75 amps	90 amps
4 – 20 mA	24 – 330V ACrms	800 Vpk	S-240-10-AA-06	S-240-25-AA-06	S-240-50-AA-06	S-240-75-AA-06	S-240-90-AA-06
4 – 20 mA	48 – 480V AC rms	1200 Vpk	S-240-10-AA-12	S-240-25-AA-12	S-240-50-AA-12	S-240-75-AA-12	S-240-90-AA-12

Input Specifications

Type	S – 240 – .. – AA – 06/12	S – 480 – .. – AA – 06/12
Control Current	4 – 20 mA	4 – 20 mA
Allowable input current	<=50 mA	<=50 mA
Voltage Drop @20mA	<=8 VDC	<=8 VDC
Reverse Polarity Protection	Yes	Yes
Impedance (Rc) Dynamic	>=33 K Ω	>=33 K Ω

Available on request

Rated operational voltage: Up to 600 VAC rms

! Current to input should not exceed 30 mA

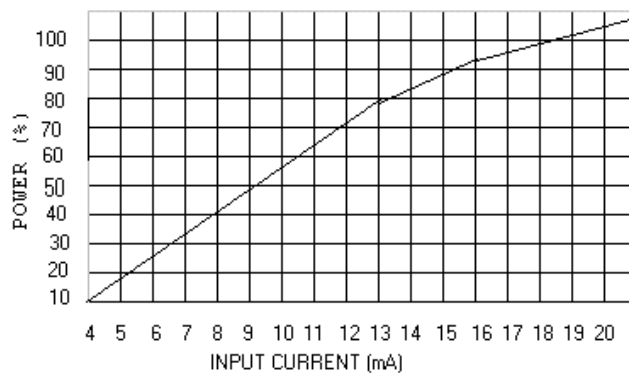
Output Specifications

TYPE	S-240/480-10-AA-06/12	S-240/480-25-AA-06/12	S-240/480-50-AA-06/12	S-240/480-75-AA-06/12	S-240/480-90-AA-06/12
Current Range with proper heat sink (IT)	10 A	25 A	50 A	75 A	90 A
On-state voltage drop (VTM)	1.6 VAC	1.6 VAC	1.85 VAC	1.85 VAC	1.85 VAC
Off-state leakage current @ voltage, frequency (IDRM)	10 mA	10 mA	10 mA	10 mA	10 mA
Load Voltage Range	24 – 240 / 48 – 480 VAC rms				
Peak one cycle surge current (non-rep) (ITM)	100 A	260 A	430 A	580 A	1230 A
Holding Current (IH)	75 mA	75 mA	100 mA	100 mA	100 mA
dv/dt off-state (critical)	200 V/μs	200 V/μs	1000 V/μs	1000 V/μs	1000 V/μs
I ² T Fusing (t = 1 – 10ms)	50 A ² S	260 A ² S	780 A ² S	1400 A ² S	6280 A ² S

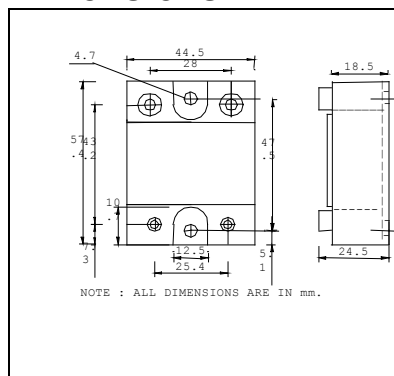
General Specifications

Frequency Range	47 – 70 Hz
Isolation I/P to O/P, I/P to case, O/P to case	10 ¹⁰ Ω
Insulation Capacitance I/P to O/P	<=8 pF
Insulation voltage I/P to O/P to case	4000 VACrms
Weight	Approx. 100 g
Storage Temp.	- 40 °C to 100 °C
Junction Temp.	100 °C

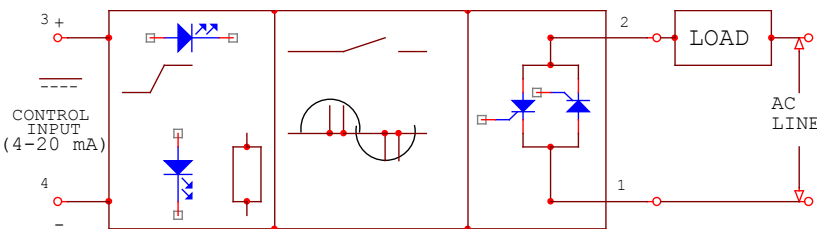
characteristic Curve



Dimensions



Functional Block Diagram



SATRONIX (INDIA) Pvt.Ltd.

OFFICE: 412, Laxmi Plaza, Laxmi Indl. Est., Link Rd, Andheri (W), Mumbai- 400 053.INDIA
 Works:Unit No. 1,Electronic Sadan 1/Unit No.12, Electronic Sadan 3,Bhosari MIDC, PUNE – 411026,INDIA

Tele: 91(020) 27122758 Cell No. 91(020) 31076215 FAX: 91(020) 27129518

Email: satronix@bom3.vsnl.net.in